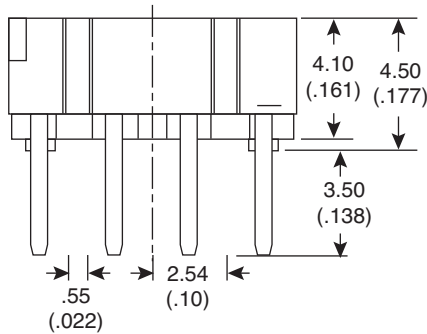
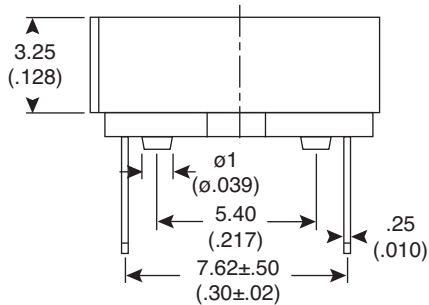
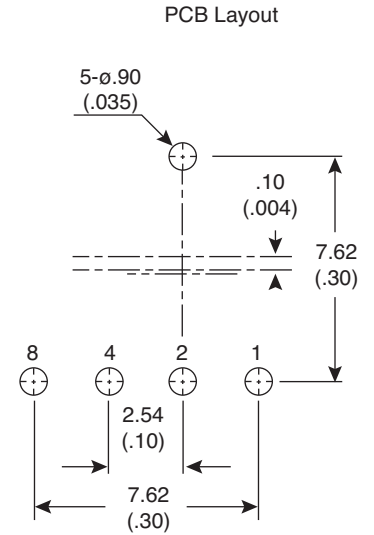
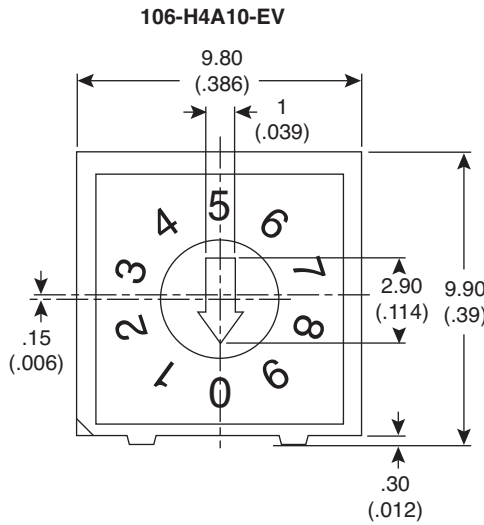
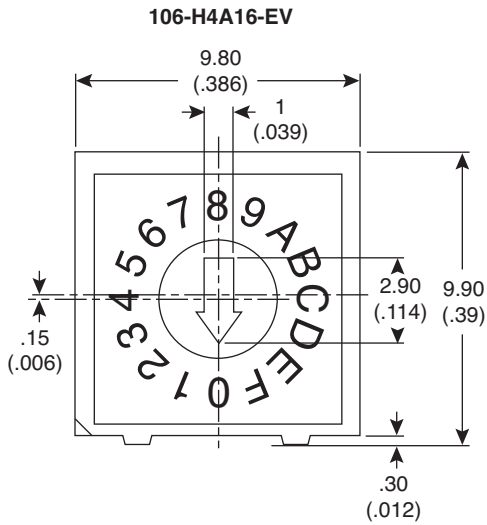


Dimensions: mm (in.)



Circuit Chart

| | | CODE | | | |
|---------|---|------|---|---|---|
| | | 1 | 2 | 4 | 8 |
| 10 STEP | 0 | ● | ● | ● | ● |
| | 1 | ○ | ● | ● | ● |
| | 2 | ● | ○ | ● | ● |
| | 3 | ○ | ○ | ● | ● |
| | 4 | ● | ● | ○ | ● |
| | 5 | ○ | ● | ○ | ● |
| | 6 | ● | ○ | ○ | ● |
| | 7 | ○ | ○ | ○ | ● |
| | 8 | ● | ● | ● | ○ |
| | 9 | ○ | ● | ● | ○ |
| 16 STEP | A | ● | ○ | ● | ○ |
| | B | ○ | ○ | ● | ○ |
| | C | ● | ● | ○ | ○ |
| | D | ○ | ● | ○ | ○ |
| | E | ● | ○ | ○ | ○ |
| | F | ○ | ○ | ○ | ○ |

Electrical Specifications:

- Rating
Non-Switching: 100mA/50V DC
Switching: 25mA/24V DC
- Contact Resistance: 100mΩ Max. (initial)
- Insulation Resistance: 250V DC 100MΩ
- Dielectric Strength: 250V AC for 1 min.

Mechanical Specifications:

- Operating Temperature: -25°C - +80°C
- Storage Temperature: -40°C - +85°C
- Operation Force: 200gf cm Max.

Note:

- RoHS Compliant

Rotary Dip Switches
106-H4A10-EV, 106-H4A16-EV

